

Tracked Crane RK 36/2400



Technical Data

Permissible gross vehicle weight (t)	4,5
Max. payload (kg)	1.500 (optional 2.400)
Max. extension length (m)	34,0 (optional 36,0)
Hook height max. (m)	32,6 (34,7)
Working height up to boom (m)	23,4
Boom extendable (m)	4,9 / 8,0 / 11,1 (opt. 13,1)
Boom payload (kg)	2.400 / 1.500 / 800 / 500 / (250)
Main mast angle (degrees)	85
Boom angle (degrees)	162
Pivoting range (degrees)	+/- 310
Hook speed (m/min)	50
Range for crane operation at 250 kg (m)	23,1 (23,5)
Range for crane operation at 500 kg (m)	16,6
Range for crane operation at 800 kg (m)	12,9
Range for crane operation at 1 t (m)	10,0
Range for crane operation at 1,5 t (m)	7,5
Range for crane operation at 2 t (m)	5,4
Range for platform operation at 250 kg (m)	15,8
Range for platform operation at 100 kg (m)	18,8
Working height in platform operation max. (m)	30,5

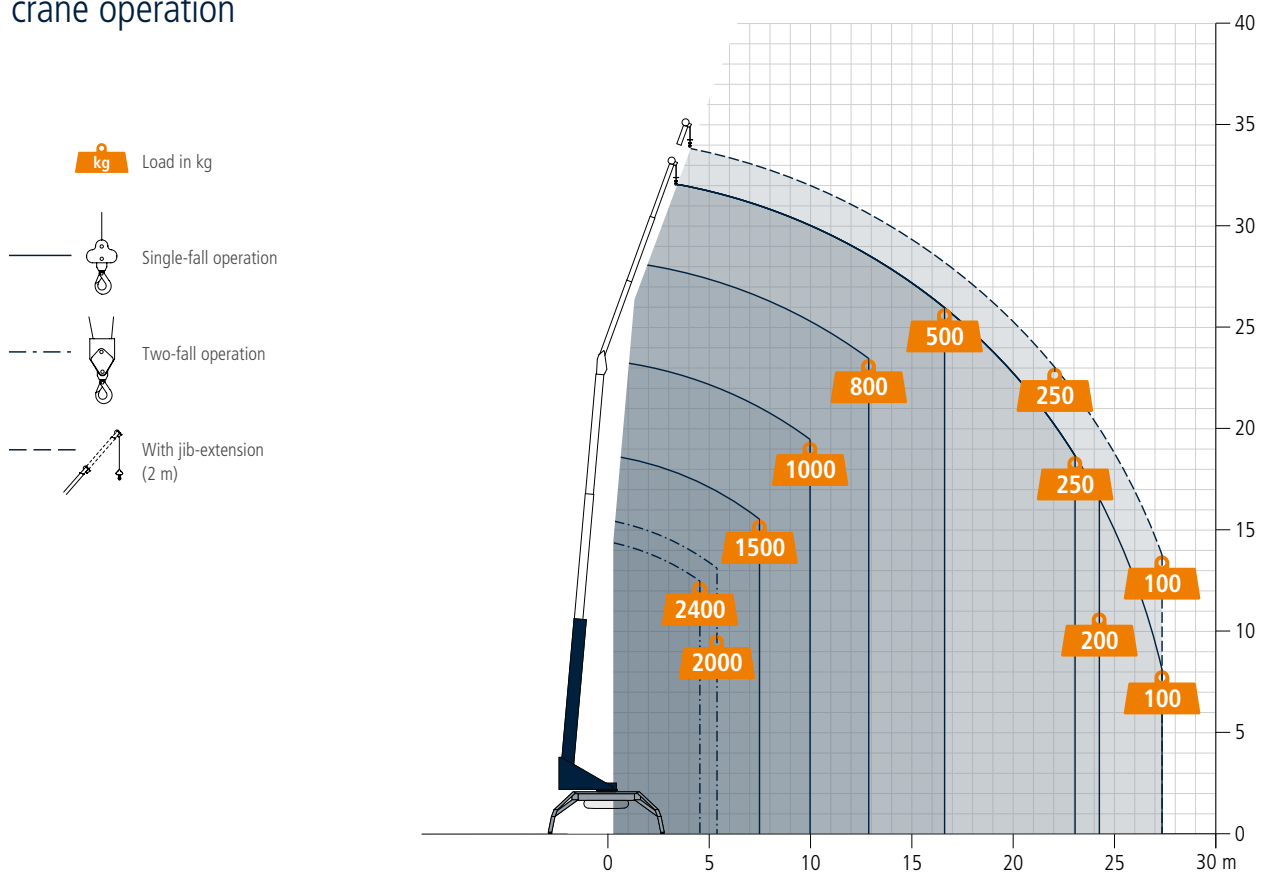
All rights reserved for changes. All specified values are maximum values.

The RK 36/2400 is our class leader on a versatile tracked chassis for any underground work. Thanks to its particularly secure traction and ground contact as well as equal distribution of the ground pressure, the Böcker tracked crane can be safely used with net loads of up to 2400 kg even for jobs on gravel, sand or wet lawns.

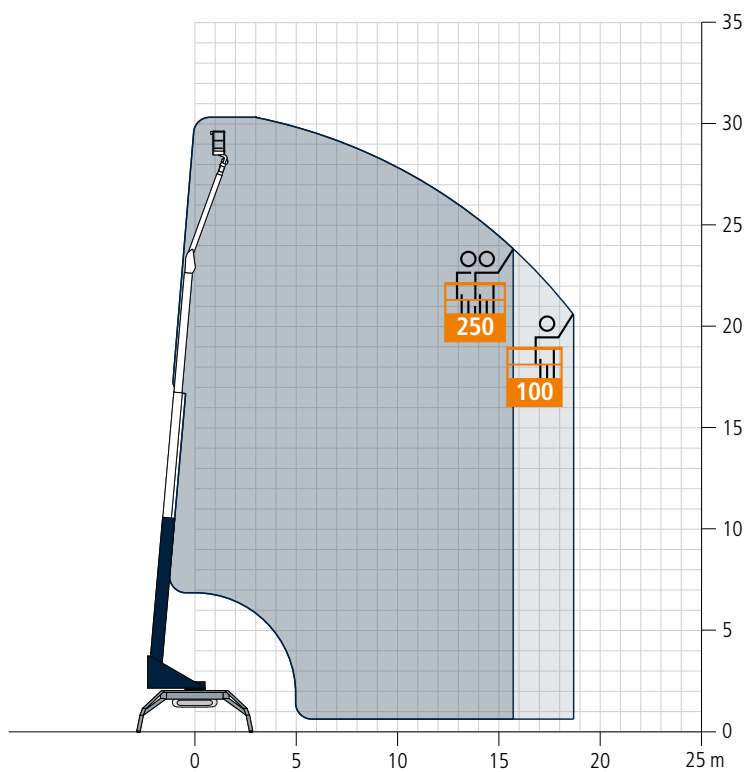
The RK 36/2400 has a powerful diesel drive, thus, ensuring necessary power reserves for any situation. Upon request, our tracked crane is available with an additional electric motor in order to enable noise and emission-free work, e.g. in closed rooms. Thanks to the Easy-Lock system the RK 36/2400 can also be converted into an fully fledged work platform in short time.

Böcker
MY WAY TO THE TOP

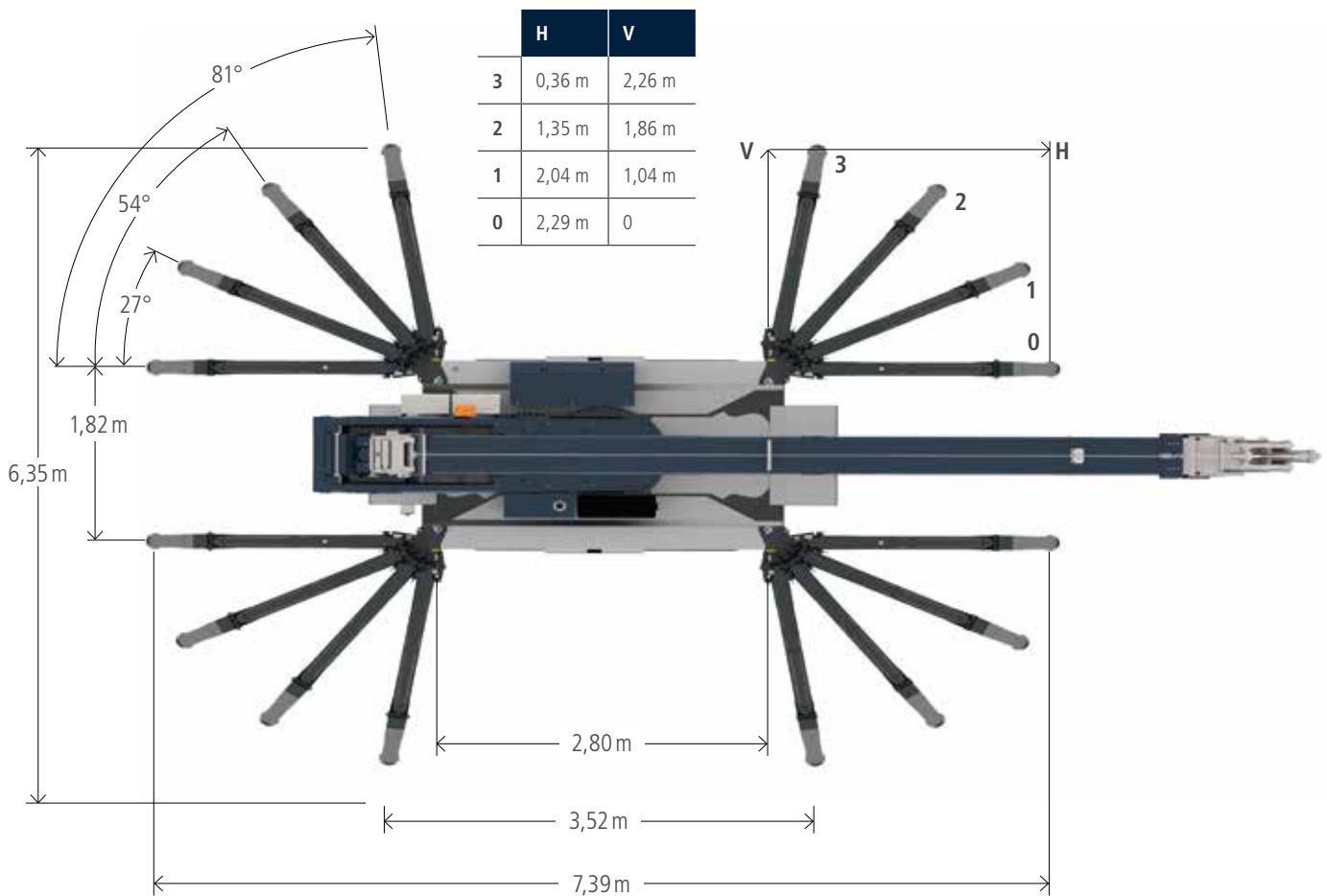
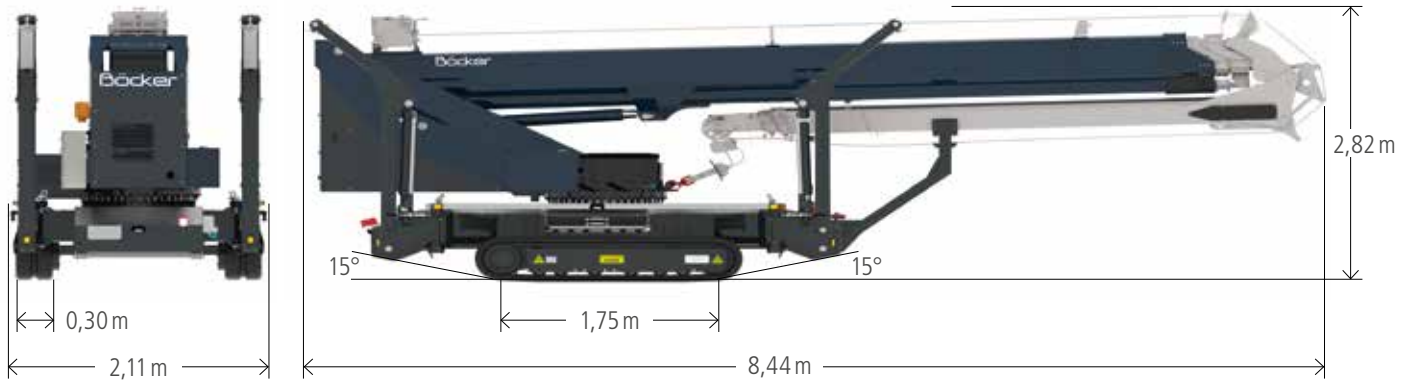
Working range crane operation



Working range platform operation



Dimensions



All weights are in kg.
Measurements can fluctuate slightly.

Böcker

www.boecker.de

Boecker UK Limited

Grazebrook Industrial Park
Hulbert Drive · Dudley
West Midlands UK-DY2 0XW

Fon +44 (0)1384 476580
info@boecker.co.uk