

Truck Crane AK 37/4000



Technical Data

Permissible gross vehicle weight (t)	7,49 / 8,6 (8,8)
Max. payload (kg)	2.000 (optional 4.000)
Max. extension length (m)	35,0 (optional 37,0)
Working height up to boom (m)	23,6
Boom extendable (m)	4,9 / 8,0 / 11,1 (opt. 13,1)
Boom payload (kg)	2.000 / 800 / 500 / (250)
Main mast angle (degrees)	85
Boom angle (degrees)	162
Pivoting range (degrees)	+/- 310
Hook speed (m/min)	45 (55)
Range for crane operation at 250 kg (m)	28,0
Range for crane operation at 500 kg (m)	21,0 (22,0 / 450 kg)
Range for crane operation at 1 t (m)	14,0
Range for crane operation at 2 t (m)	8,0
Range for crane operation at 4 t (m)	5,0
Range for crane operation at 6 t (m)	-
Range for crane operation at 12 t (m)	-
Range for platform operation with rotating basket (m)	21,1 at 250 kg 24,0 at 100 kg
Range for platform operation with non-rotating basket (m)	22,0 at 200 kg 24,0 at 100 kg
Working height with rotating basket max. (m)	30,5
Working height with non-rotating basket max. (m)	30,5






All rights reserved for changes. All specified values are maximum values.

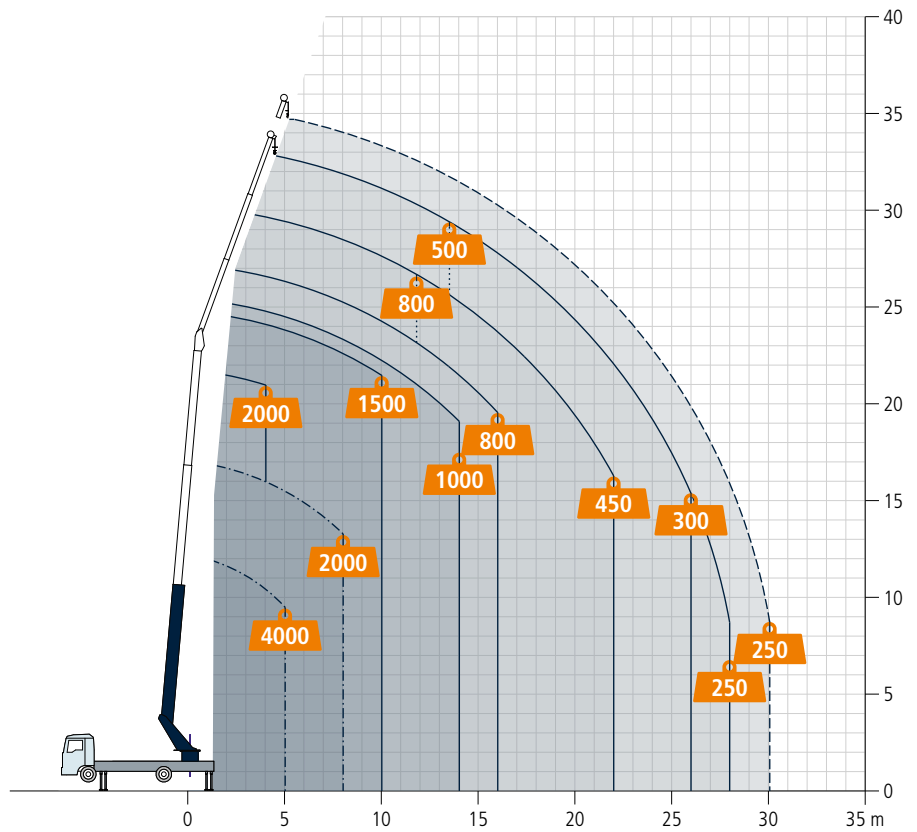
Without a doubt the AK 37/4000 can be considered the No. 1 in the weight class of 7.49 t. Mounted on MAN or Mercedes-chassis this crane offers the highest possible value stability and investment security. Its low fuel-consumption is another monetary and environmental-friendly advantage. The AK 37/4000 is also available with a hybrid drive upon request.

The most compact Böcker mounted crane has no boom overhang at the front of the vehicle and therefore is surely the best choice for crowded city traffic as well as for use on tight job sites. With a radius of 28 m at a load of 250 kg, you can easily reach the rear side of roofs and buildings. And thanks to its extremely small slewing radius, it can be used with one-sided support while traffic is still running.

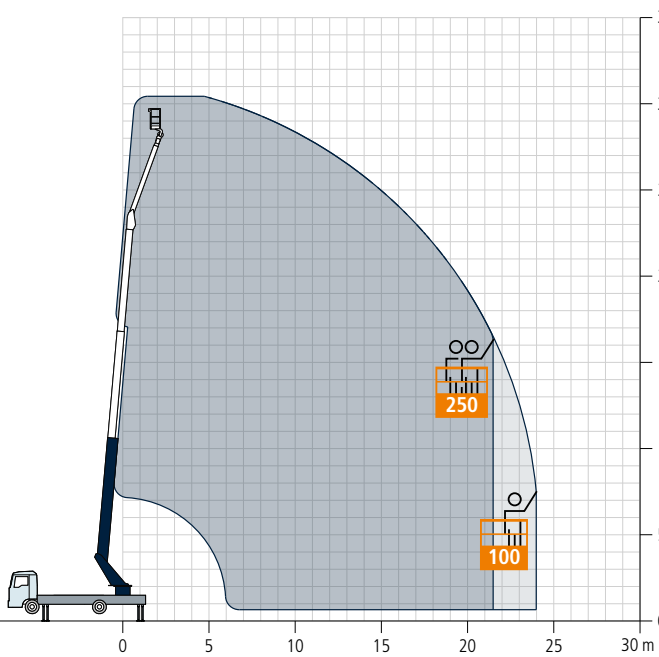
Böcker
MY WAY TO THE TOP

Working range crane operation

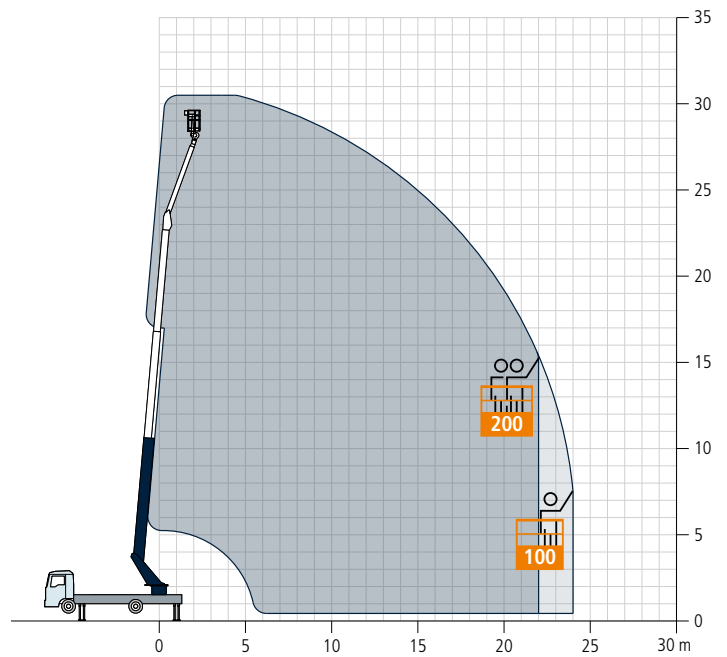
-  Load in kg
-  Single-fall operation
-  Two-fall operation
-  With jib-extension (2 m)
-  Increased jib load with reduced working range



Working range platform operation



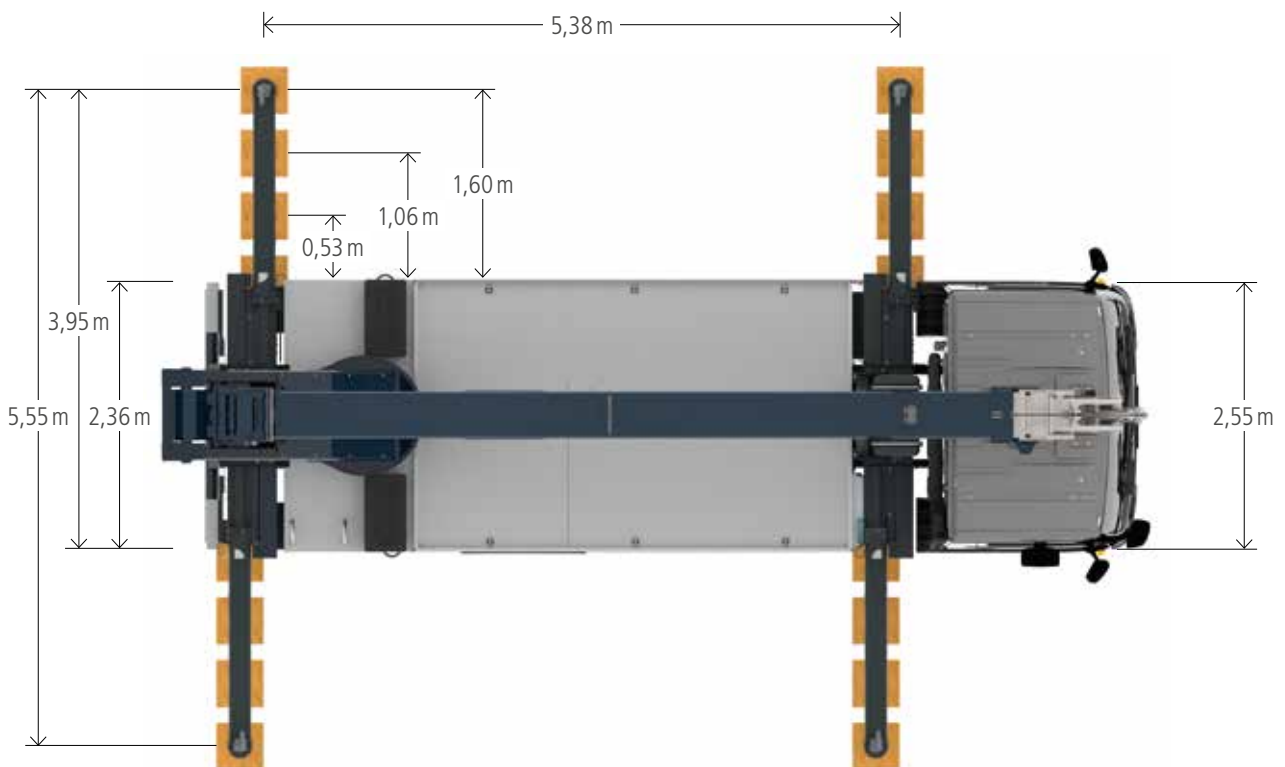
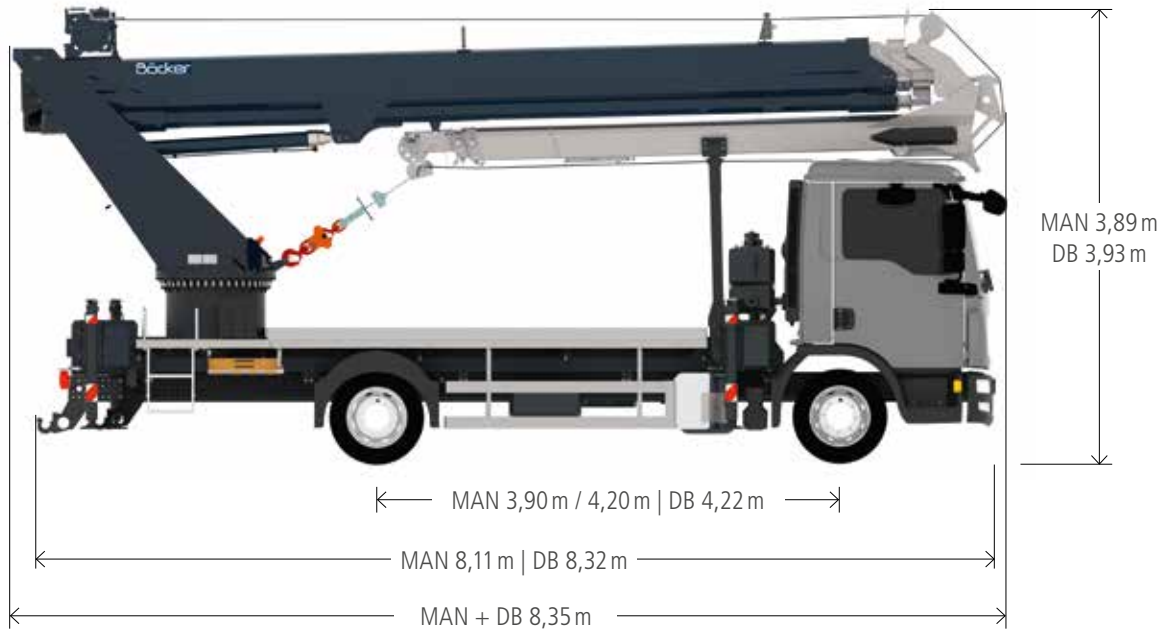
Rotatable basket, capacity of max. 250 kg



Hooped basket, capacity of max. 200 kg

All weights are in kg.
Measurements can fluctuate slightly.

Dimensions



All weights are in kg.
Measurements can fluctuate slightly.

Böcker

www.boecker.de

Boecker UK Limited

Grazebrook Industrial Park
Hulbert Drive · Dudley
West Midlands UK-DY2 0XW

Fon +44 (0)1384 476580
info@boecker.co.uk