

# Truck Crane AK 52



## Technical Data

Permissible gross vehicle weight (t)	26 / (32)
Max. payload (kg)	3.000 (optional 6.000/12.000)
Max. extension length (m)	52,0 (optional 55,0)
Hook height max. (m)	50
Working height up to boom (m)	38,0
Boom extendable (m)	6,3 / 10,3 / 14,3
Boom payload (kg)	3.000 / 2.000 / 1.000
Main mast angle (degrees)	85
Boom angle (degrees)	157
Pivoting range (degrees)	endless
Hook speed (m/min)	50
Range for crane operation at 250 kg (m)	43,0
Range for crane operation at 500 kg (m)	40,0
Range for crane operation at 1 t (m)	34,0
Range for crane operation at 2 t (m)	22,0
Range for crane operation at 4 t (m)	13,0
Range for crane operation at 6 t (m)	10,0
Range for crane operation at 12 t (m)	5,0
Range for platform operation with rotating basket (m)	30,0 at 600 kg 33,0 at 250 kg 36,0 at 100 kg
Range for platform operation with non-rotating basket (m)	37,5 at 250 kg 40,0 at 100 kg
Working height with rotating basket max. (m)	51,0
Working height with non-rotating basket max. (m)	53,0






All rights reserved for changes. All specified values are maximum values.

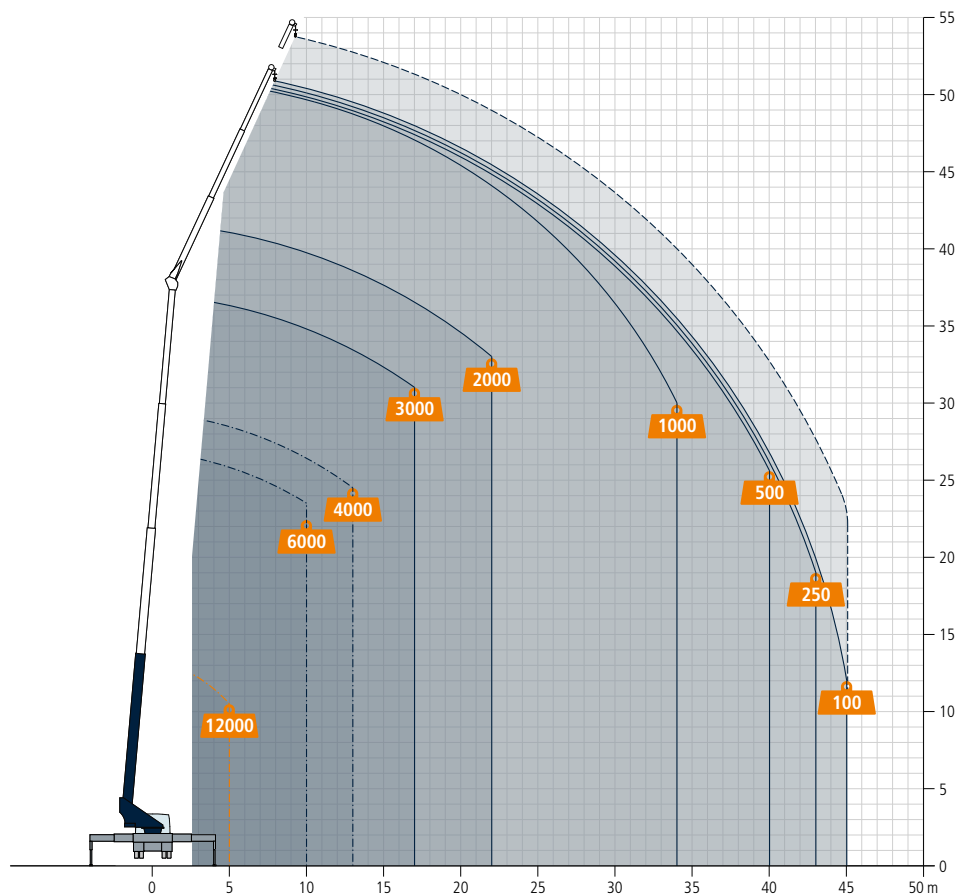
The Böcker AK 52 sets new standards in the class of 26 t trucks. Lifting 1.000 kg to a sensational radius of 34 m with a height of 30 m it is most likely the strongest crane in an aluminium-steel design which is currently available on the market.

The AK 52 also reaches new heights when being used as a working platform. Its extendable cage with a width of 3.5 meters it impresses with a load capacity of up to 600 kg. Thanks to its small slewing radius, its highly-modern closed hybrid-telescope boom and its fully-hydraulic, telescopic fly jib of 14 m it is perfect for your job site even when working in tight spaces!

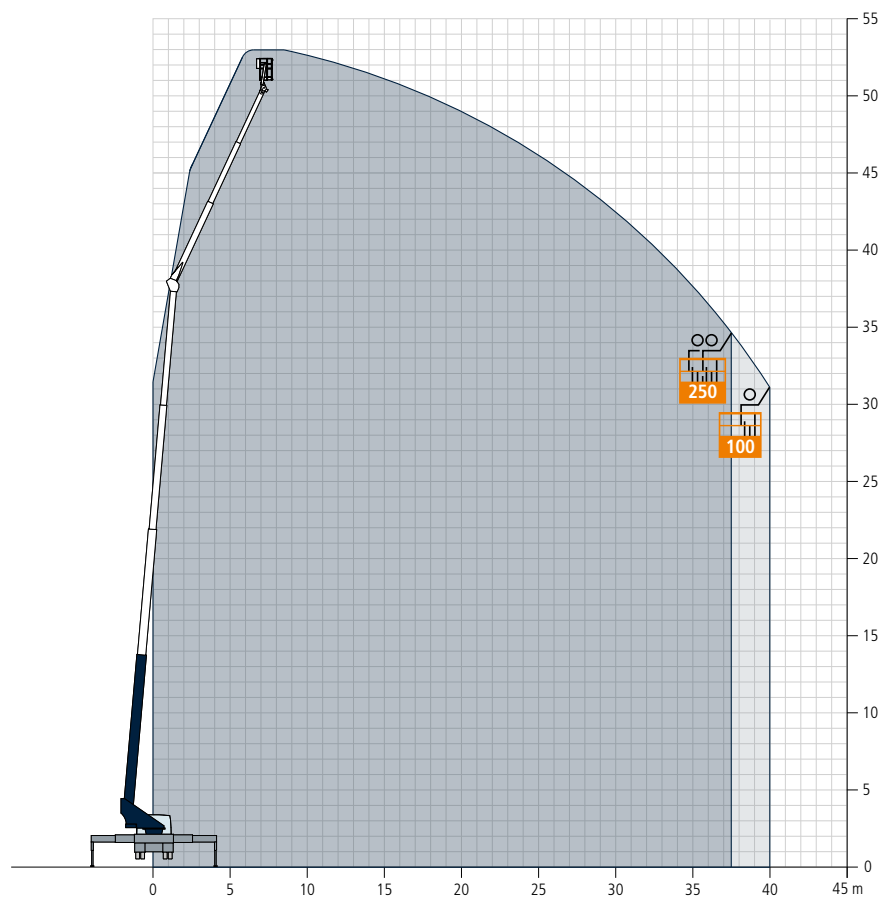
**Böcker**  
MY WAY TO THE TOP

## Working range crane operation

-  Load in kg
-  Single-fall operation
-  Two-fall operation
-  Four-fall operation
-  With jib-extension (3 m)

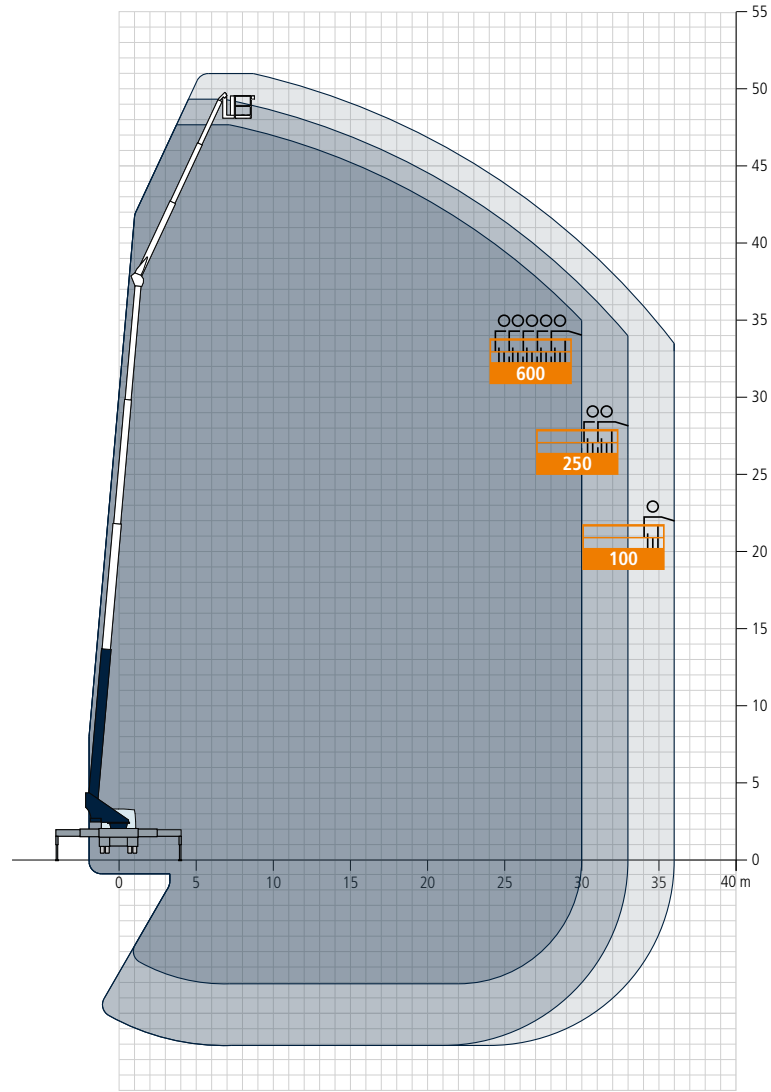


## Working range platform operation (non-rotating basket)

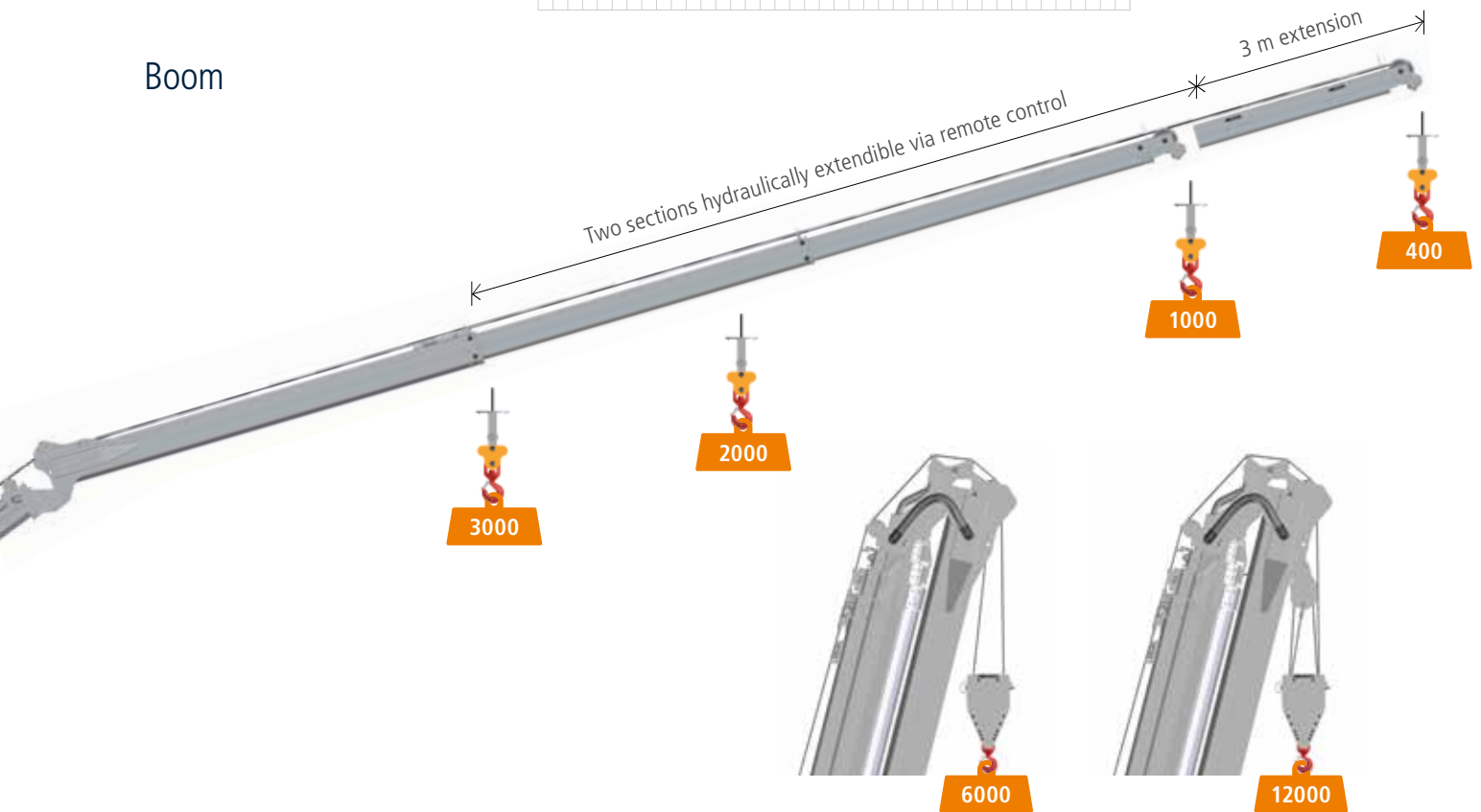


All weights are in kg.  
Measurements can fluctuate slightly.

Working range  
platform operation  
(rotating basket)

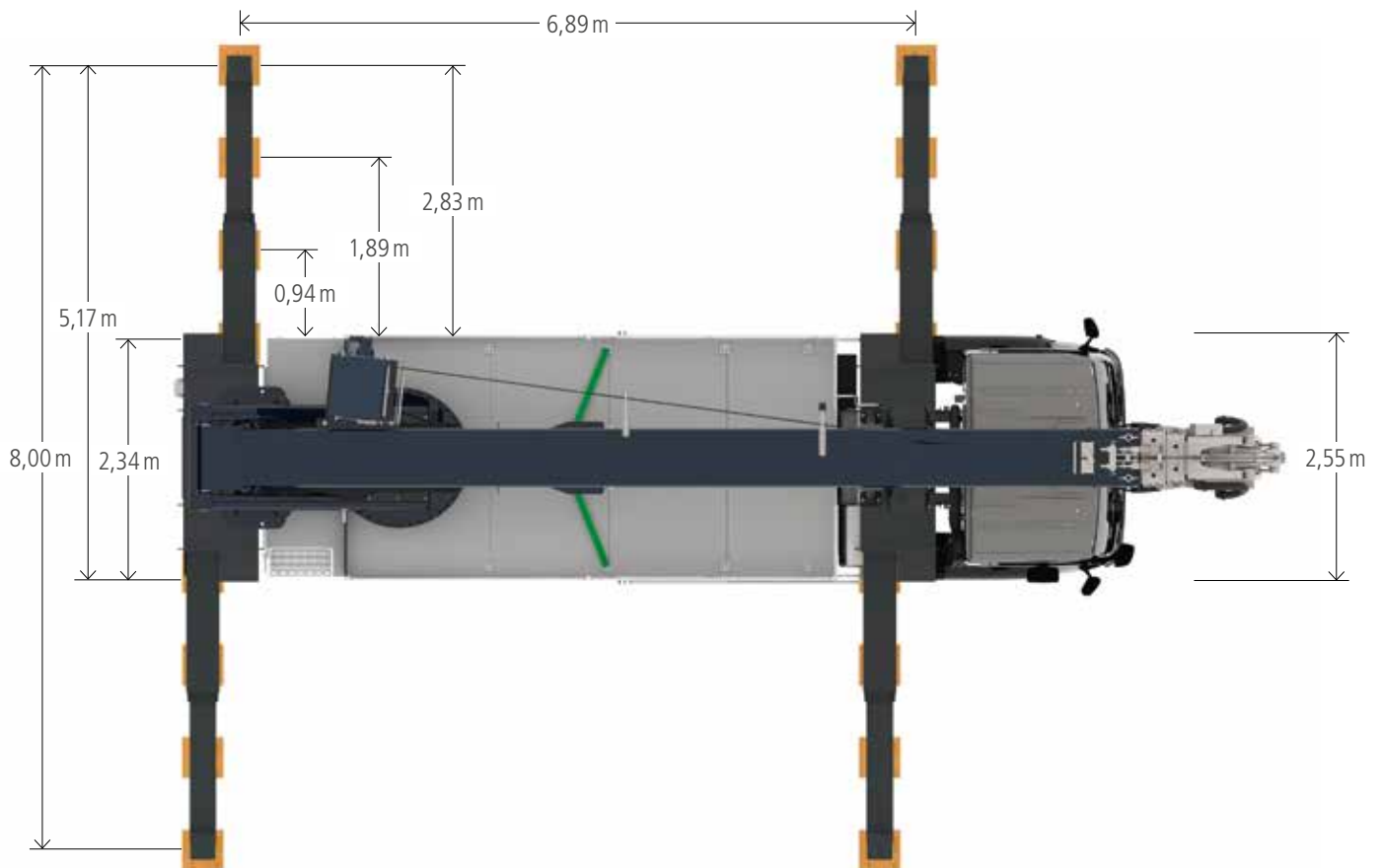
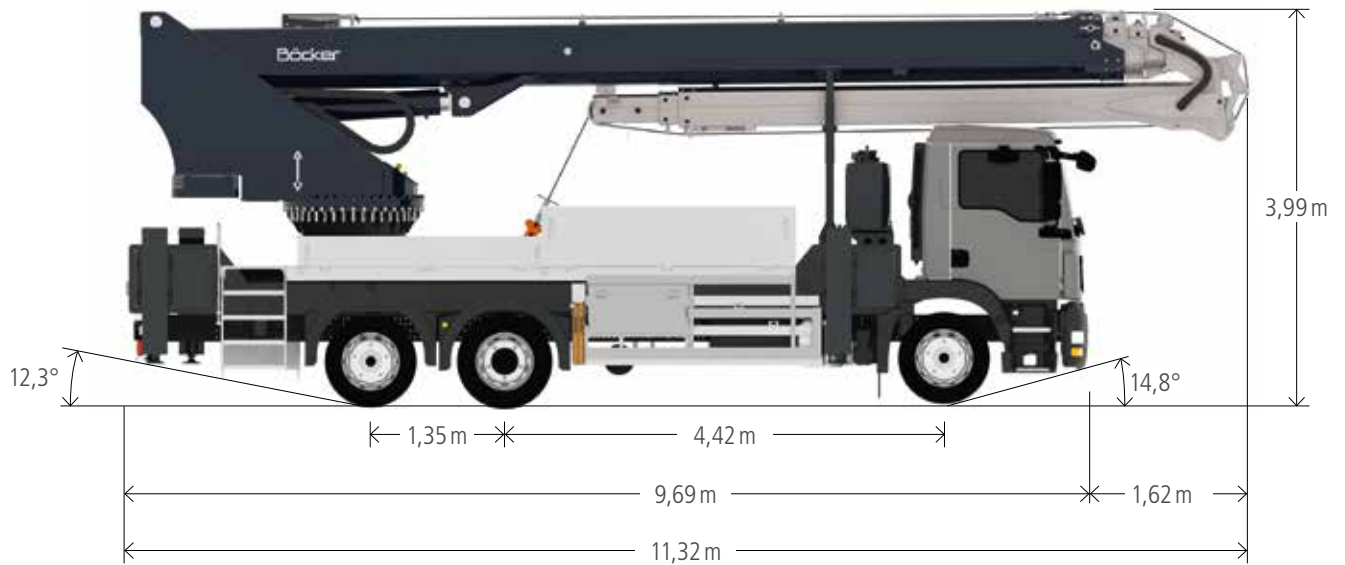


Boom



All weights are in kg.  
Measurements can fluctuate slightly.

Dimensions



**Böcker**

[www.boecker.de](http://www.boecker.de)

**Boecker UK Limited**  
 Grazebrook Industrial Park  
 Hulbert Drive · Dudley  
 West Midlands UK-DY2 0XW

Fon +44 (0)1384 476580  
[info@boecker.co.uk](mailto:info@boecker.co.uk)