

# Truck Crane AK 36/4000



## Technical Data

Permissible gross vehicle weight (t)	11,99
Max. payload (kg)	2.000 (optional 4.000)
Max. extension length (m)	36,0
Working height up to boom (m)	24,2
Boom extendable (m)	5,2 / 8,3 / 11,3
Boom payload (kg)	2.000 / 1.000 / 700
Main mast angle (degrees)	85
Boom angle (degrees)	160
Pivoting range (degrees)	+/- 310
Hook speed (m/min)	45 (55)
Range for crane operation at 250 kg (m)	30,0
Range for crane operation at 500 kg (m)	24,0
Range for crane operation at 1 t (m)	16,0
Range for crane operation at 2 t (m)	8,0
Range for crane operation at 4 t (m)	4,0
Range for crane operation at 6 t (m)	-
Range for crane operation at 12 t (m)	-
Range for platform operation with rotating basket (m)	23,5 at 250 kg 26,0 at 100 kg
Range for platform operation with non-rotating basket (m)	24,5 at 250 kg 26,8 at 100 kg
Working height with rotating basket max. (m)	32,7
Working height with non-rotating basket max. (m)	34,0





All rights reserved for changes. All specified values are maximum values.

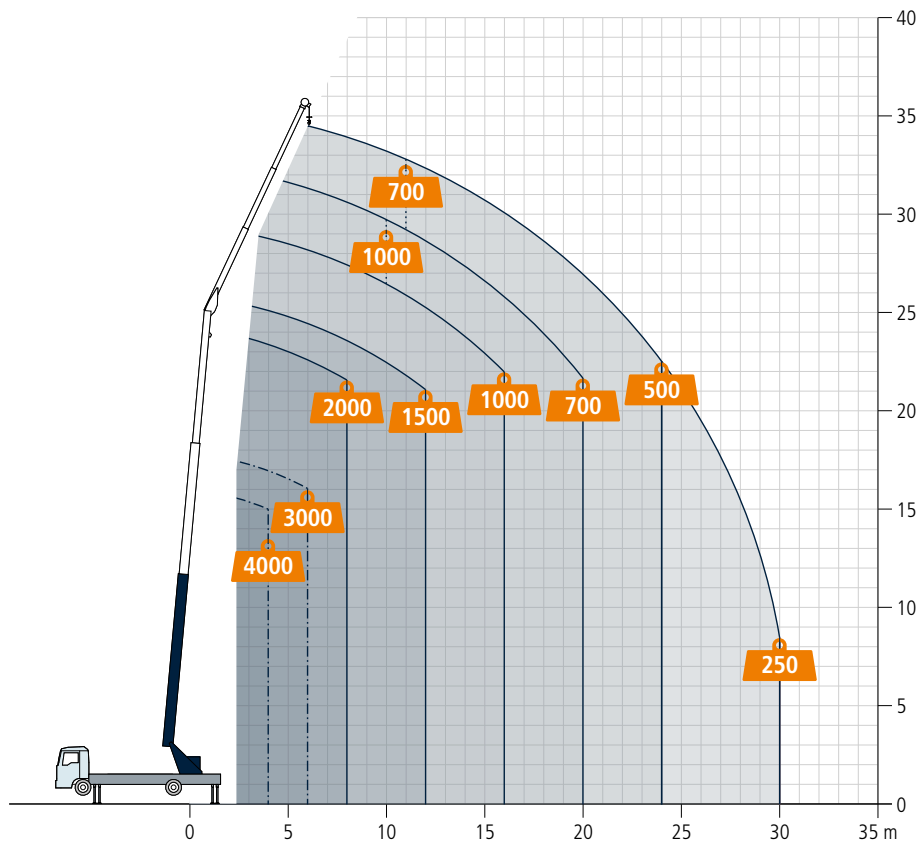
The powerful and multi-functional AK 36/4000 is characterized by impressive working ranges and high loads on a compact 11.99 t chassis. Despite its low weight, this crane reaches a maximum radius of 16 m with a load of 1000 kg. In addition to that it impresses by its excellent price-performance ratio.

The specific design of our AK 36/4000 reduces the slew radius to a minimum. Therefore it can also be set up at the side of the road while the traffic is still running. Like all other Böcker cranes, the AK 36/4000 can accurately telescope in and out with a load thanks to its strong aluminium boom.

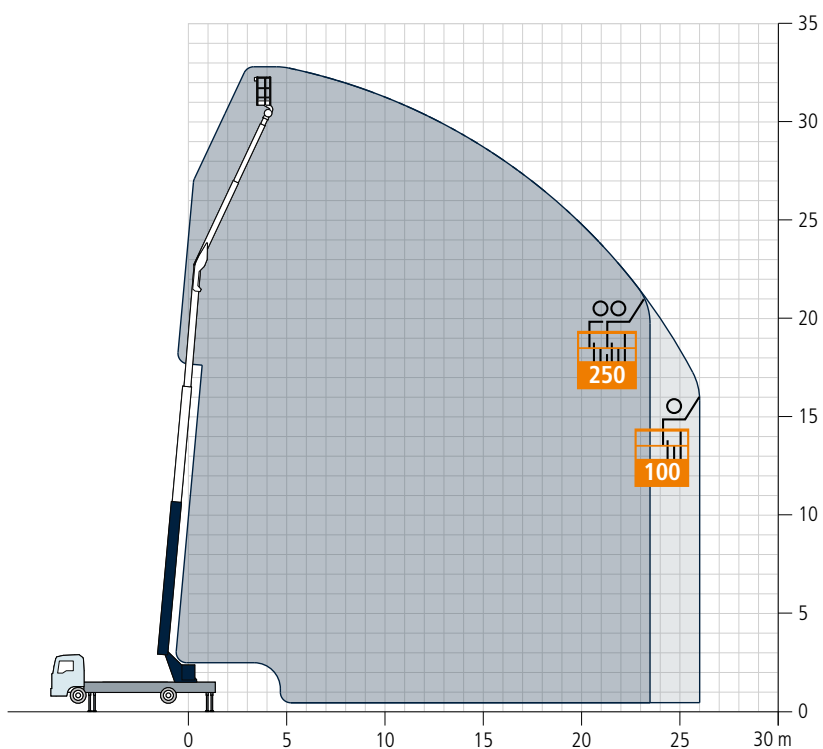
**Böcker**  
MY WAY TO THE TOP

## Working range crane operation

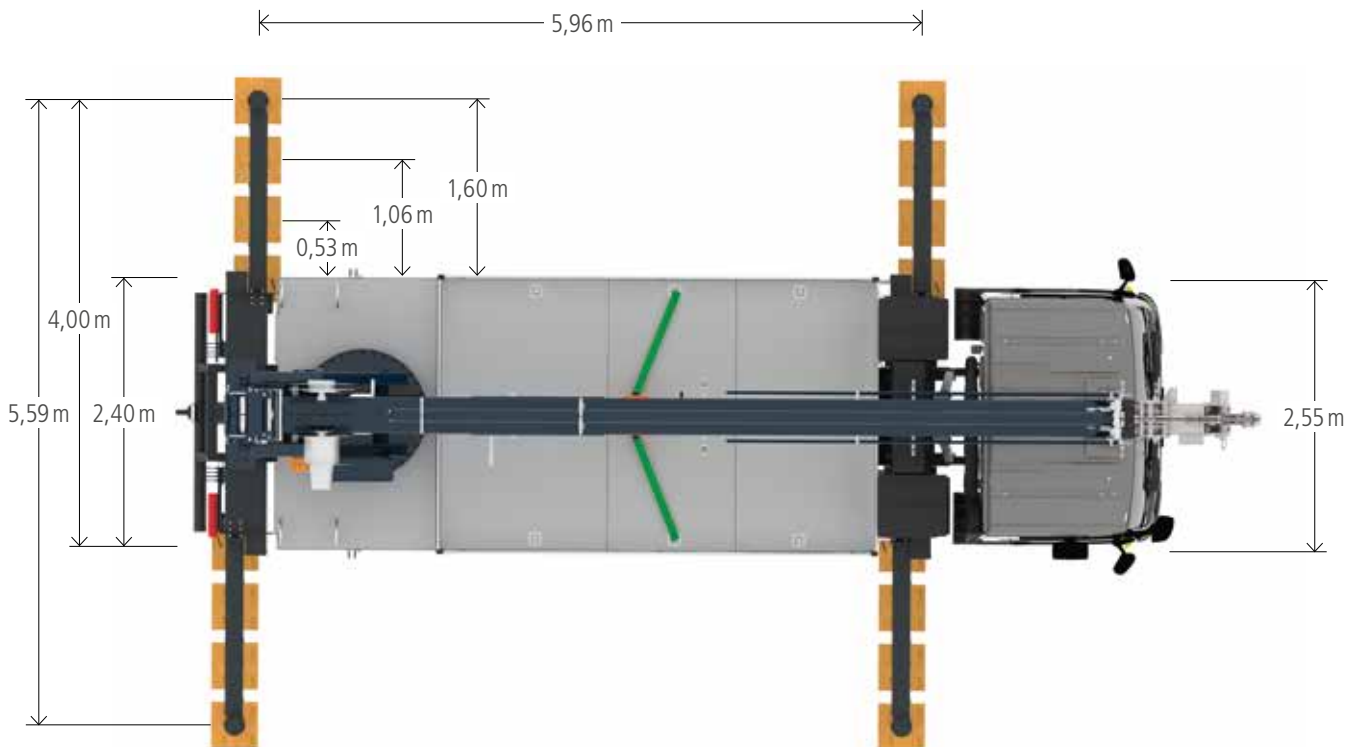
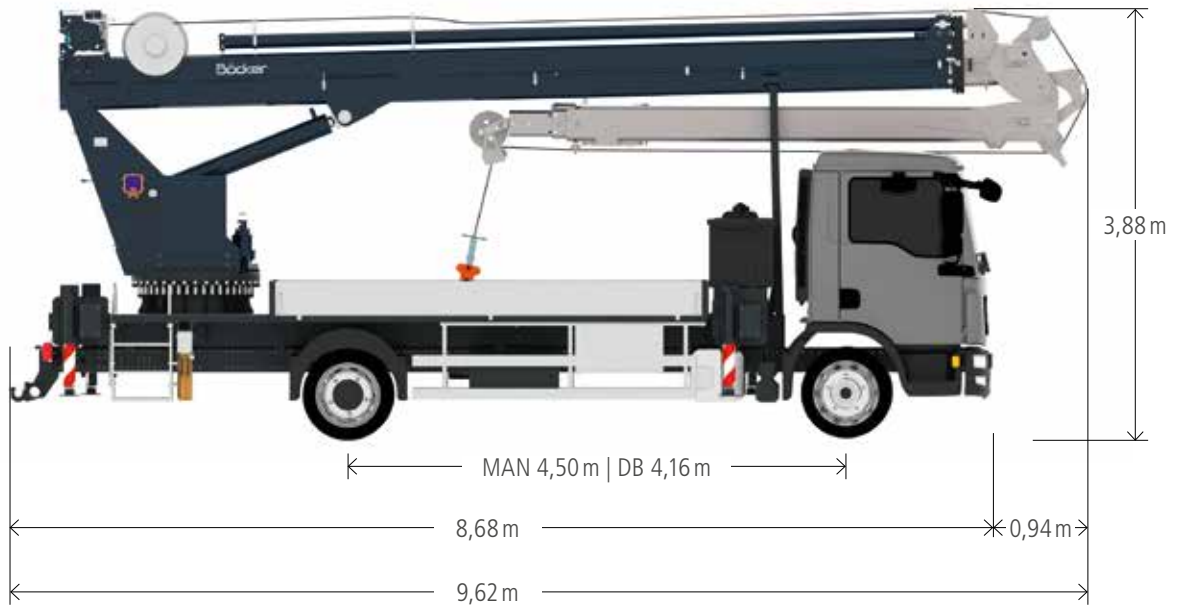
-  Load in kg
-  Single-fall operation
-  Two-fall operation
-  Increased jib load with reduced working range



## Working range platform operation



Dimensions



All weights are in kg.  
Measurements can fluctuate slightly.

**Böcker**

[www.boecker.de](http://www.boecker.de)

**Böcker Maschinenwerke GmbH**

Lippestr. 69-73  
DE-59368 Werne

Fon +49 (0)2389 79890  
Fax +49 (0)2389 79899000  
[info@boecker.de](mailto:info@boecker.de)